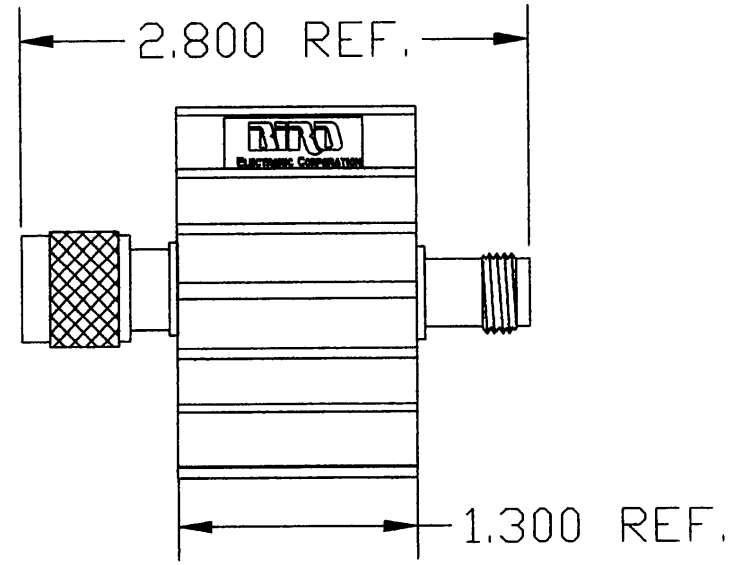
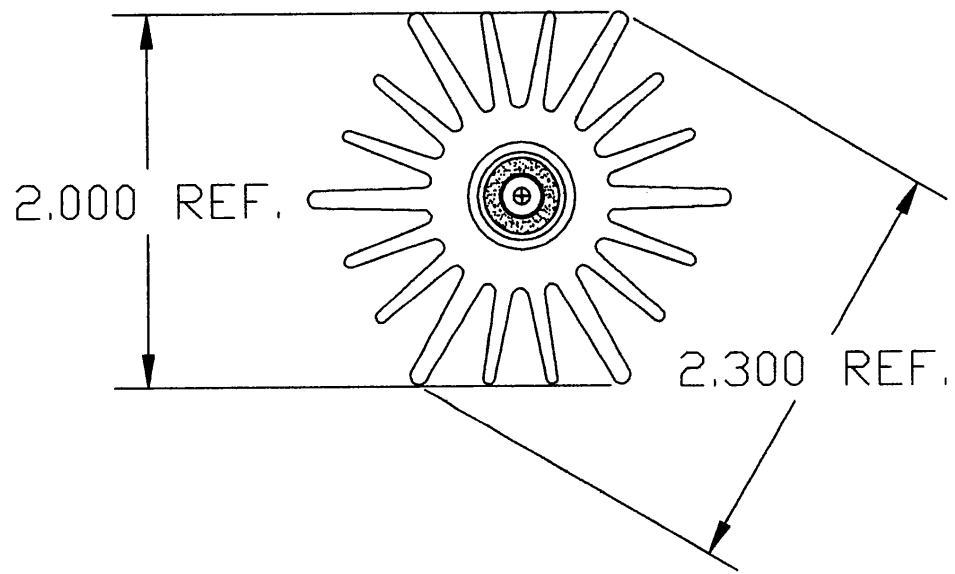


PART NUMBER  
**10-A-MFT-XX**  
 REV. A 12-23-97, ECN# 0185  
 REV. B 2-3-00, ECN# 0246



**SPECIFICATIONS:**

10 WATT BI-DIRECTIONAL COAXIAL ATTENUATOR

POWER RATING: 10 WATTS MAXIMUM @ 40°C.  
 12 WATTS MAXIMUM @ 25°C.

CONNECTORS: TNC-TYPE, MALE-FEMALE

FREQUENCY RANGE & VSWR: DC TO 1GHz AT 1.10:1 MAX.  
 1GHz TO 4GHz AT 1.25:1 MAX.

IMPEDANCE: 50 OHMS, NOMINAL

AMBIENT TEMPERATURE RANGE: -40°C TO +40°C

OPERATING POSITION: ANY

COOLANT: DRY (CONVECTION COOLED)

FINISH: BLACK ANODIZED COOLING FINS, SILVER OR TRI-ALLOY PLATED CONNECTORS

NOMINAL SIZE: 2.8" L X 2.3" DIA. (WITH TNC-TYPE MALE, FEMALE CONNECTORS)

WEIGHT: APPROX. 5 OZ.

XX = dB VALUE

XX	dB ATTEN.	ACCURACY ±dB	
		DC - 1GHz	1 - 4GHz
-01	1	0.3	0.5
-02	2	0.3	0.5
-03	3	0.3	0.5
-06	6	0.4	0.6
-10	10	0.4	0.8
-20	20	0.5	1.0
-30	30	0.8	1.3

UNLESS OTHERWISE SPECIFIED TOLERANCES ARE:  
 .XX = +.015  
 .XXX = +.005

SCALE  
 DIM. ARE IN INCHES  
 APPROVED BY *[Signature]*  
 DATE 2-3-00

**BIRD COMPONENT PRODUCTS INC.**

DESCRIPTION: FINAL ASSEMBLY, 10 WATT ATTENUATOR (TNC-TYPE MALE, FEMALE)

DWG. BY DMD	DATE 12-23-97	PART NUMBER 10-A-MFT-XX	REV. B
----------------	------------------	----------------------------	-----------